

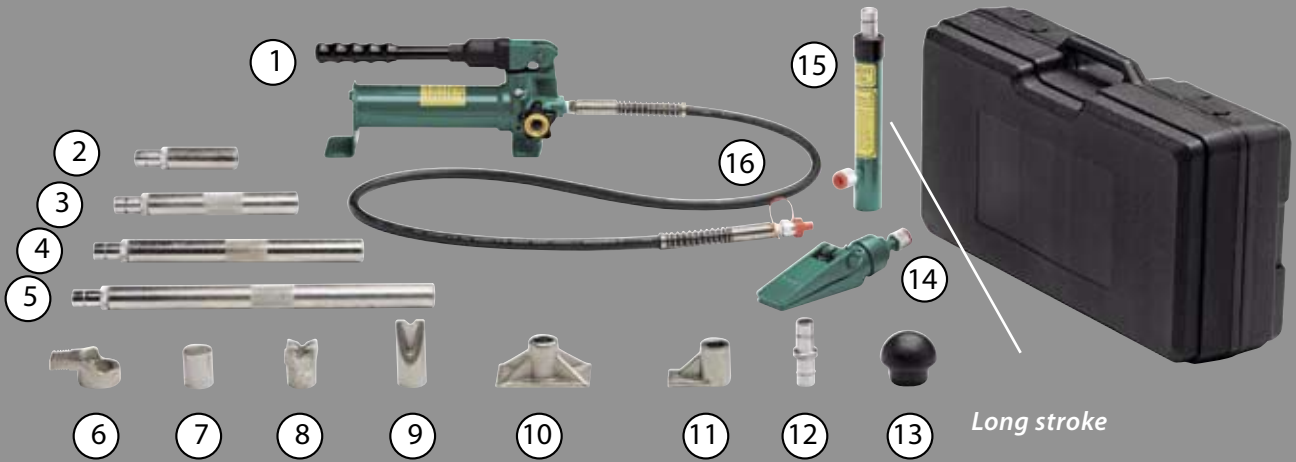
Ideal for lifting, spreading and pushing applications. Hydraulic repair kits are ideal for various applications in automotive body repair workshops, industrial applications, etc.

Quick-lock feature with lock rings on most components ensure that the kit is fast to assemble, change and disassemble. The component No 6 is with threads.

## Hydraulic repair kits

4 ton hydraulic power unit

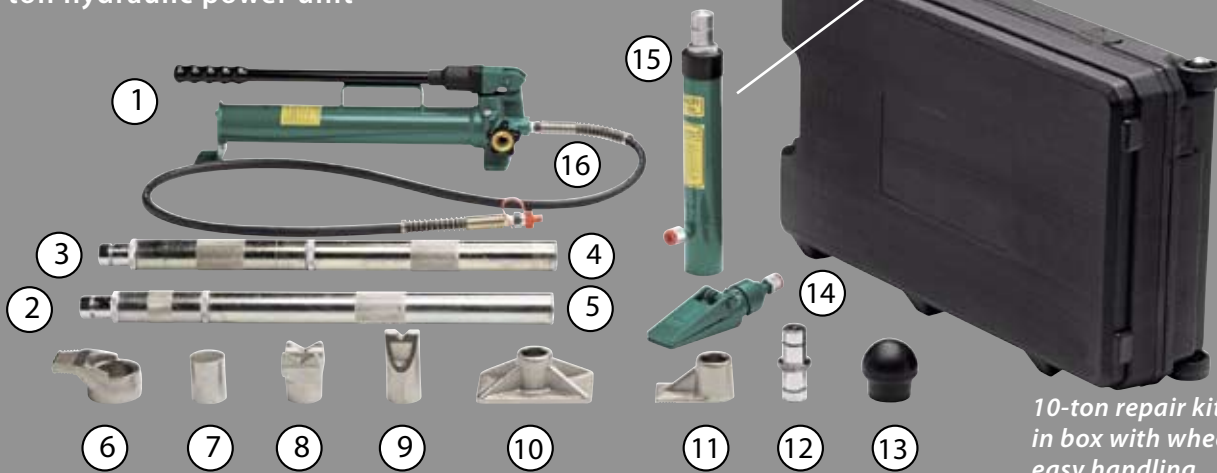
### CRK4



*Long stroke*

10 ton hydraulic power unit

### CRK10



*10-ton repair kit supplied in box with wheels for easy handling.*

| CRK4                         | CRK10                       |
|------------------------------|-----------------------------|
| 1 4 ton hydraulic power unit | 10 ton hydraulic power unit |
| 2 Quick-lock tube, 100 mm.   | Quick-lock tube, 125 mm.    |
| 3 Quick-lock tube, 200 mm.   | Quick-lock tube, 250 mm.    |
| 4 Quick-lock tube, 300 mm.   | Quick-lock tube, 350 mm.    |
| 5 Quick-lock tube, 400 mm.   | Quick-lock tube, 475 mm.    |
| 6 Threaded toe adapter       | Threaded toe adapter        |
| 7 Saddle                     | Saddle                      |
| 8 Wedge head                 | Wedge head                  |

| CRK4                         | CRK10                     |
|------------------------------|---------------------------|
| 9 "V" head                   | "V" head                  |
| 10 Base                      | Base                      |
| 11 Angle head                | Angle head                |
| 12 Connector                 | Connector                 |
| 13 Flexible rubber head      | Flexible rubber head      |
| 14 Spreader (Max 500 kg.)    | Spreader (Max 500 kg.)    |
| 15 Cylinder, 100 mm. stroke. | Cylinder, 150 mm. stroke. |
| 16 Flexible hose, 1800 mm.   | Flexible hose, 1800 mm.   |



**WARNING:** The capacity of the hydraulic system exceeds the maximum of the spreader and other adapters. Please see maximum capacity per component in the instruction manual.